

Name & address

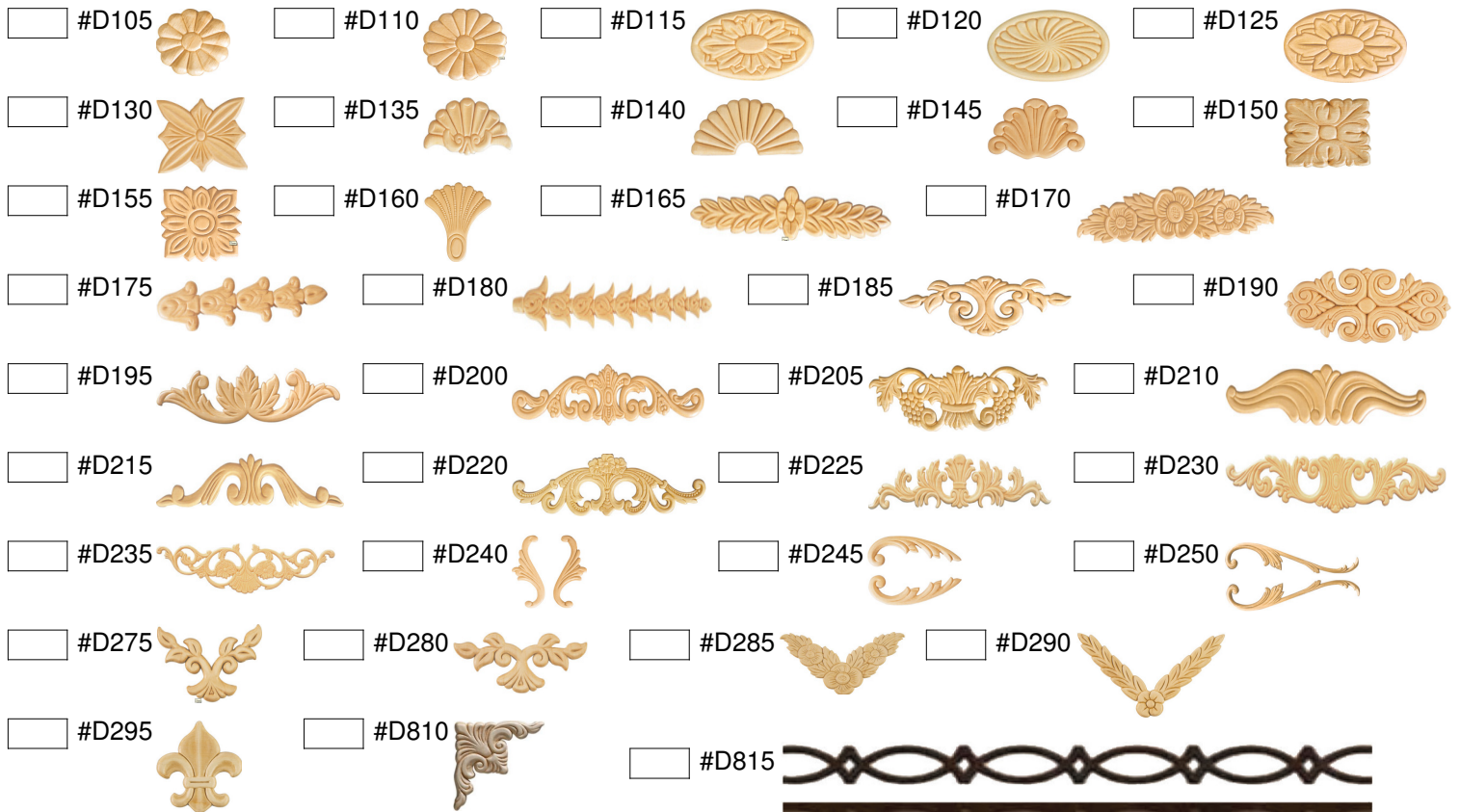
Your PO #
 Their PO #

Color : Front

Note :

Arabesques

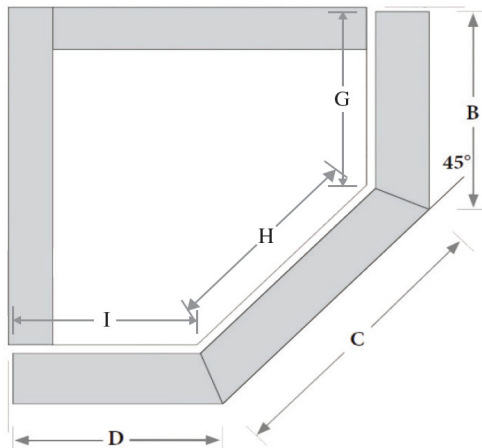
(Not available in Acry-Lux)



Two angle doors – 45°

Grain : V H Finger pull Hinge boring

Qty	Width	Height	(i)	or (D)	(H)	or (C)	(G)	or (B)	Model	Back	Exterior profile	T	B	L	R
___	___	X	___	___	___	___	___	___	___	___	___	<input type="checkbox"/>	<input type="checkbox"/>	<input type="checkbox"/>	<input type="checkbox"/>
___	___	X	___	___	___	___	___	___	___	___	___	<input type="checkbox"/>	<input type="checkbox"/>	<input type="checkbox"/>	<input type="checkbox"/>
___	___	X	___	___	___	___	___	___	___	___	___	<input type="checkbox"/>	<input type="checkbox"/>	<input type="checkbox"/>	<input type="checkbox"/>
___	___	X	___	___	___	___	___	___	___	___	___	<input type="checkbox"/>	<input type="checkbox"/>	<input type="checkbox"/>	<input type="checkbox"/>



Note :

Name & address

Your PO #
 Their PO #

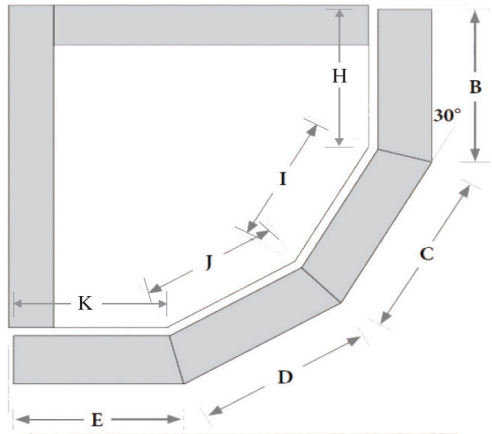
Color : Front

Note :

Three angle doors – 30°

Grain : V H Finger pull Hinge boring

Qty	Width	Height	(K) or (E)	(J) or (D)	(i) or (C)	(H) or (B)	Model	Back	Exterior profile	T	B	L	R
___	___	X	___	___	___	___	___	___	___	<input type="checkbox"/>	<input type="checkbox"/>	<input type="checkbox"/>	<input type="checkbox"/>
___	___	X	___	___	___	___	___	___	___	<input type="checkbox"/>	<input type="checkbox"/>	<input type="checkbox"/>	<input type="checkbox"/>
___	___	X	___	___	___	___	___	___	___	<input type="checkbox"/>	<input type="checkbox"/>	<input type="checkbox"/>	<input type="checkbox"/>
___	___	X	___	___	___	___	___	___	___	<input type="checkbox"/>	<input type="checkbox"/>	<input type="checkbox"/>	<input type="checkbox"/>

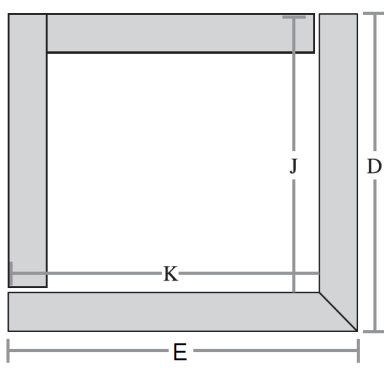


Note :

One angle doors – 90°

Grain : V H Finger pull Hinge boring

Qty	Width	Height	(K) or (E)	(J) or (D)	Model	Back	Exterior profile	T	B	L	R
___	___	X	___	___	___	___	___	<input type="checkbox"/>	<input type="checkbox"/>	<input type="checkbox"/>	<input type="checkbox"/>
___	___	X	___	___	___	___	___	<input type="checkbox"/>	<input type="checkbox"/>	<input type="checkbox"/>	<input type="checkbox"/>
___	___	X	___	___	___	___	___	<input type="checkbox"/>	<input type="checkbox"/>	<input type="checkbox"/>	<input type="checkbox"/>
___	___	X	___	___	___	___	___	<input type="checkbox"/>	<input type="checkbox"/>	<input type="checkbox"/>	<input type="checkbox"/>



Note :